



Licensed under  
CC BY-SA 3.0

Designed By Micromint USA



### Page 2 - MCU

MCU, Boot Options, Coin Battery  
SPIFI Data Flash, JTAG

### Page 3 - BASE

I/O Sockets, User LEDs, USB0, USB1,  
User Push Button, Reset Push Button,  
USB Power MUX, 3.3V Power Supply

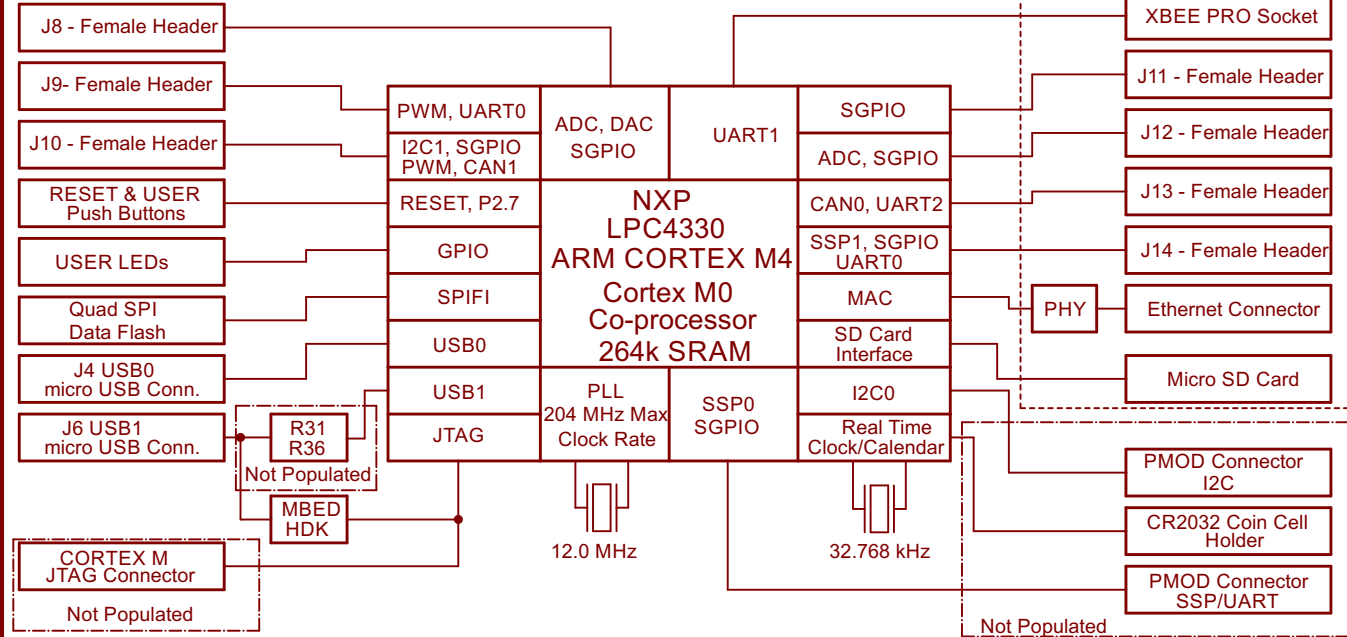
### Page 4 - BAM210E

Ethernet, XBEE Interface  
MicroSD Card  
5.0V Power Supply

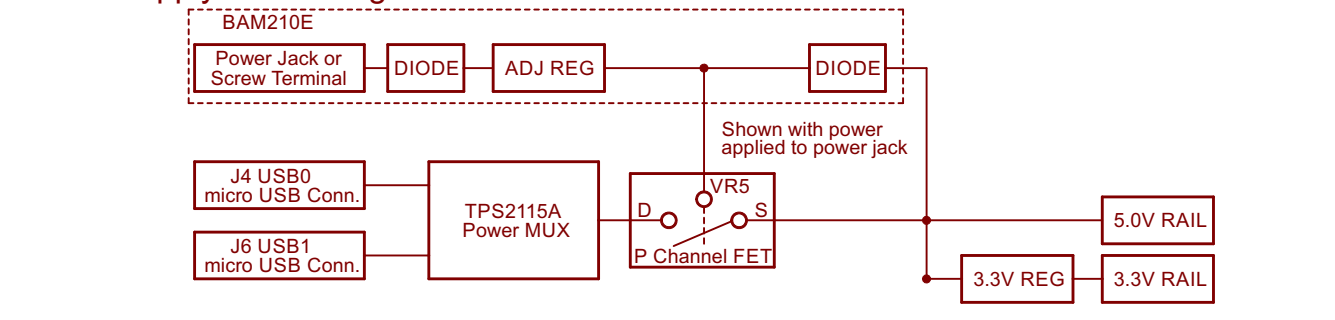
### Page 5 - MBED HDK

USB Debugging and  
Interface microcontroller

## Block Diagram



## Power Supply Block Diagram

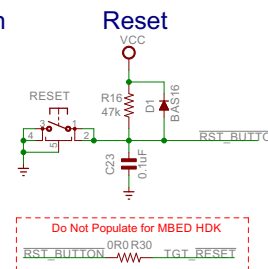
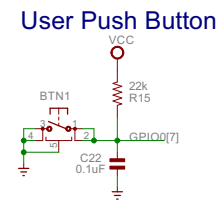
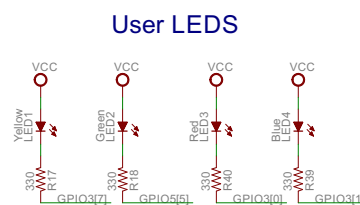
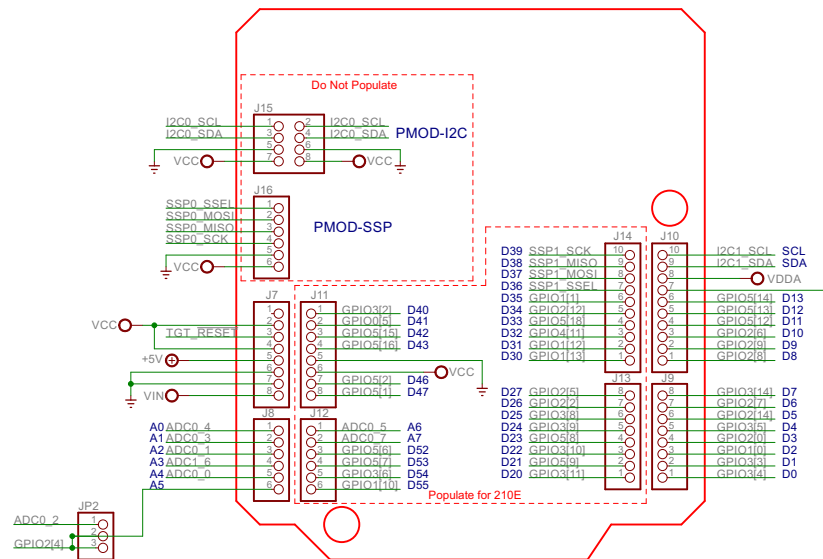
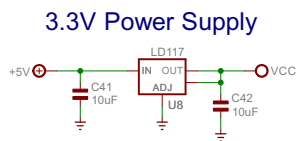
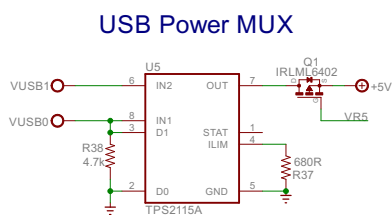
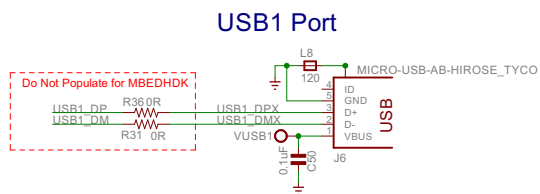
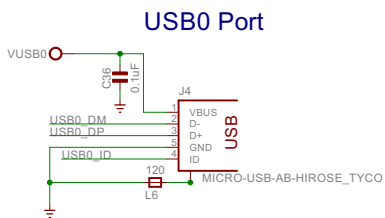


Revision	Changes	Page

ISSUE			MICROMINT LLC		www.micromint.com		
REV	DATE	APPROVED	DRAWN	TITLE			REV
1	11/6/13	P. CHAMPAGNE	PJC	Block Diagram			A
			CHECKED	DATE	DRG No		
			PJC	9/25/13	BAM210		
			Approved	FILE: BAM210A	PAGE: 1/5		

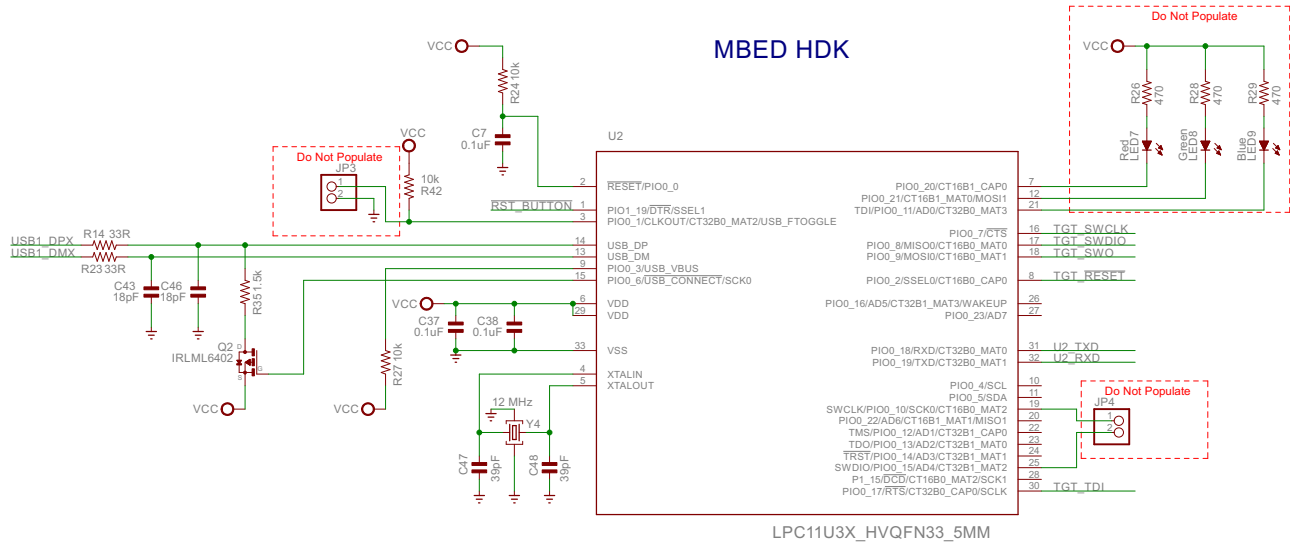


Designed By Micromint USA



ISSUE	 LLC	www.micromint.com	
DRAWN	TITLE		REV
PJC	I/O Sockets, LEDs, PB, USB0, and USB Power Mux		A
CHECKED	DATE	DRG N°	
PJC	9/25/13	BAM210	
Approved	FILE: BAM210A	PAGE: 3/5	





ISSUE	 LLC	www.micromint.com	
DRAWN	TITLE		REV
PJC	MBED HDK Microcontroller		A
CHECKED	DATE	DRG N°	
PJC	9/25/13	BAM210	
Approved	FILE: BAM210A	PAGE: 5/5	