

THE INFORMATION CONTAINED IN THIS DRAWING IS THE SOLE PROPERTY OF MICROMINT USA, LLC. ANY REPRODUCTION IN PART OR WHOLE IS STRICTLY PROHIBITED WITHOUT WRITTEN PERMISSION.

PROPRIETARY



Page 2 - MCU
MCU

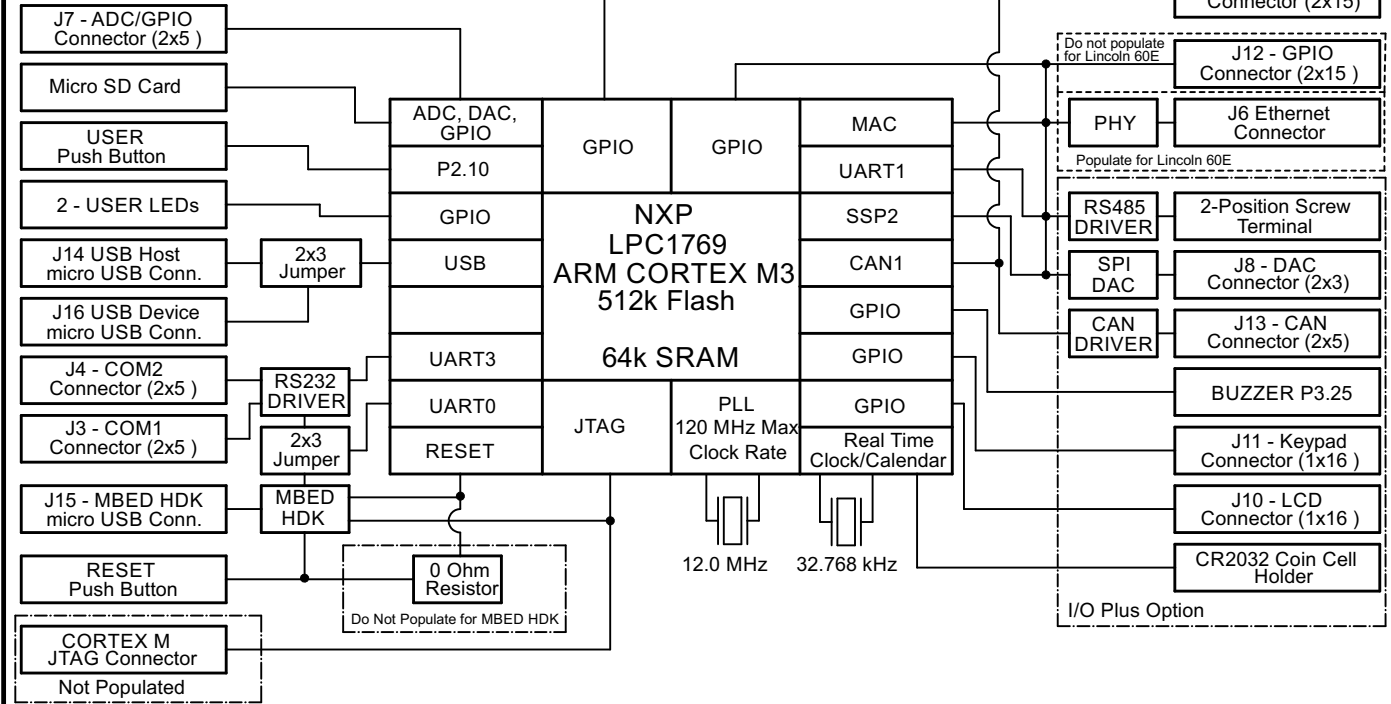
Page 3 - I/O
COM1, COM2, Micro SD, GPIO Headers
User Push Button, Reset Push Button,
LEDs, USB Host & Device, Power Supply

Page 4 - Ethernet
Ethernet

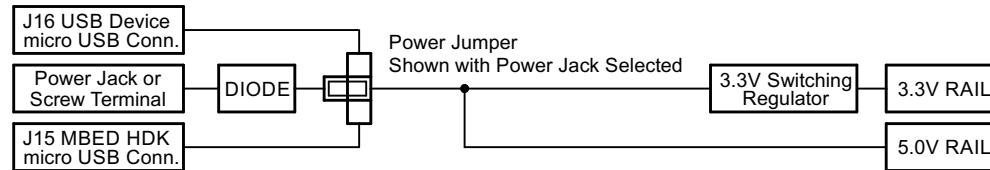
Page 5 - I/O Plus Option
Keypad, Character LCD, RS485,
CAN, DAC, Coin Battery, Buzzer

Page 6 - MBED HDK
USB Debugging and
Interface microcontroller, JTAG

Block Diagram



Power Supply Block Diagram



Revision	Changes
B	Changed J5 to a Cortex-M Debug Connector, changed USB Debugging to MBED-HDK, and added unpopulated pull-up resistors to P0.27 & P0.28

REV	DATE	APPROVED	DRAWN	ISSUE	MICROMINT USA, LLC	THIS DRAWING CONTAINS PROPRIETARY INFORMATION AND SHOULD NOT BE USED WITHOUT WRITTEN PERMISSION.	© 2009	REV
1	4/7/10	PJC	PJC	TITLE				B
A	6/3/10	PJC	CHECKED	DATE				
B	3/11/15	PJC	PJC	DATE	1/27/2016 2:15:10 PM			
				DATE				
				FILE: LIN060-B				PAGE: 1/6

THE INFORMATION CONTAINED IN THIS DRAWING IS THE SOLE PROPERTY OF MICROMINT USA, LLC. ANY REPRODUCTION IN PART OR WHOLE IS STRICTLY PROHIBITED WITHOUT WRITTEN PERMISSION.

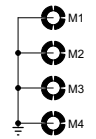
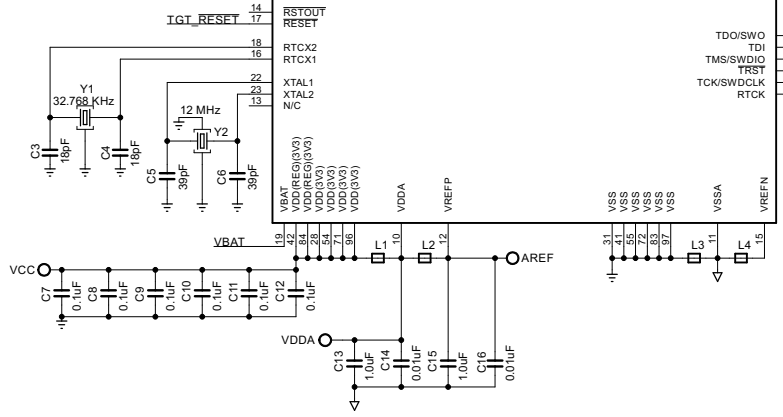
PROPRIETARY

Processor

U2

TXD3 46	P0.0/RD1/TXD3/SDA1	P1.0/ENET_TXD0	95	ENTX0
RXD3 47	P0.1/TXD3/RXD3/SCL1	P1.1/ENET_TXD1	94	ENTX1
P0.2 98	P0.2/TXD0/AD0.7	P1.4/ENET_TX_EN	93	ENTXEN
P0.3 99	P0.3/RXD0/AD0.6	P1.8/ENET_CRS	92	ENCRS
P0.4 81	P0.4/2SRX_CLK/RXD2/CAP2.0	P1.9/ENET_RXD0	91	ENRX0
P0.5 80	P0.5/2SRX_WS/TD2/CAP2.1	P1.10/ENET_RXD1	90	ENRX1
P0.6 79	P0.6/2SRX_SDA/SSEL1/MAT2.0	P1.14/ENET_RX_ER	89	ENRXER
P0.7 78	P0.7/2STX_CLK/SCK1/MAT2.1	P1.15/ENET_REF_CLK	88	ENRCLK
P0.8 77	P0.8/2STX_WS/MISO1/MAT2.2	P1.16/ENET_MDIO	87	ENMDIO
P0.9 76	P0.9/2STX_SDA/MOSI1/MAT2.3	P1.17/ENET_MDIO	86	ENMDIO
P0.10 48	P0.10/TXD2/SDA2/MAT3.0	P1.18/USB_UP_LED/PWM1.1/CAP1.0	32	P1.18
P0.11 49	P0.11/RXD2/SCL2/MAT3.1	P1.19/MC0A/USB_PPWR/CAP1.1	33	P1.19
SPINCL K62	P0.15/TXD1/SCK0/SCK	P1.20/MC0B/PWM1.2/SCK0	34	P1.20
SPIOSS 63	P0.16/RXD1/SSEL0/SSEL	P1.21/MCABORT/PWM1.3/SSEL0	35	P1.21
SEI0RX 61	P0.17/CTS1/MISO0/MISO	P1.22/MC0B/USB_PPWR/MAT1.0	36	P1.22
SEI0TX 60	P0.18/CD1/MOSI0/MOSI	P1.23/MCFB1/PWM1.4/MISO0	37	P1.23
P0.19 59	P0.19/DSR1/SDA1	P1.24/MCFB2/PWM1.5/MOSI0	38	P1.24
P0.20 58	P0.20/DTR1/SCL1	P1.25/MC1A/MAT1.1	39	P1.25
P0.21 57	P0.21/RH1/RD1	P1.26/MC1B/PWM1.6/CAP0.0	40	P1.26
ID1 56	P0.22/RTS1/TD1	P1.27/CLKOUT/USB_OTVCR/CAP0.1	43	P1.27
P0.23 9	P0.23/AD0.0/2SRX_CLK/CAP3.0	P1.28/MC2A1.0/MAT0.0	44	P1.28
P0.24 8	P0.24/AD0.1/2SRX_WS/CAP3.1	P1.29/MC2B/PCAP1.1/MAT0.1	45	P1.29
P0.25 7	P0.25/AD0.2/2SRX_SDA/TXD3	P1.30/VBUS/AD0.4	21	P1.30
P0.26 6	P0.26/AD0.3/OUT1/RXD3	P1.31/SCK1/AD0.5	20	P1.31
P0.27 25	P0.27/SDA0/USB_SDA			
P0.28 24	P0.28/SCL0/USB_SCL	P2.0/PWM1.1/TXD1	75	TXD1
USRPDP 29	P0.29/USB_D+	P2.1/PWM1.2/RXD1	74	RXD1
USBDM 30	P0.30/USB_D-	P2.2/PWM1.3/CTS1/TRACEDATA.3	73	P2.2
		P2.3/PWM1.4/DCD1/TRACEDATA.2	70	P2.3
P2.25 27	P3.25/MAT0.0/PWM1.2	P2.4/PWM1.5/DSR1/TRACEDATA.1	69	P2.4
P3.28 26	P3.26/STCLK/MAT0.1/PWM1.3	P2.5/PWM1.6/DTR1/TRACEDATA.0	68	P2.5
		P2.6/PCAP1.0/RT1/TRACECLK	67	P2.6
P4.28 82	P4.28/RX_MCLK/MAT2.0/TXD3	P2.7/RD2/RTS1	66	RTS1
P4.29 85	P4.29/TX_MCLK/MAT2.1/RXD3	P2.8/TD2/TXD2	65	TXD2
		P2.9/USB_CONNECT/RXD2	64	P2.9
		P2.10/EINT0/NMI	53	P2.10
		P2.11/EINT1/2STX_CLK	52	P2.11
		P2.12/EINT2/2STX_WS	51	P2.12
		P2.13/EINT3/2STX_SDA	50	P2.13

LPC1769

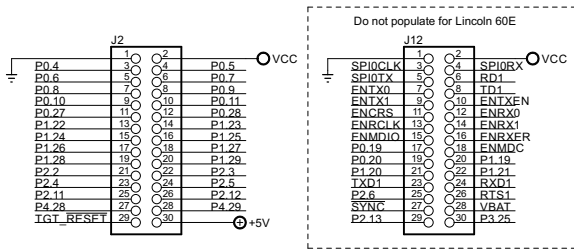


ISSUE	MICROMINT LLC	THIS DRAWING CONTAINS PROPRIETARY INFORMATION AND SHOULD NOT BE USED WITHOUT WRITTEN PERMISSION.	© 2009
DRAWN	TITLE	REV	
PJC	Lincoln 60 - Processor, GPIO, P/S	B	
CHECKED	DATE	DRG N°	
PJC	1/27/2016 2:15:10 PM	LIN060-B	
DATE	FILE: LIN060-B	PAGE: 2/6	
12/15/09			

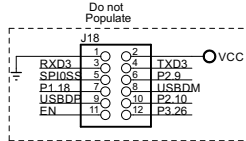
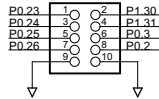
THE INFORMATION CONTAINED IN THIS DRAWING IS THE SOLE PROPERTY OF MICROMINT USA, LLC. ANY REPRODUCTION IN PART OR WHOLE IS STRICTLY PROHIBITED WITHOUT WRITTEN PERMISSION.

PROPRIETARY

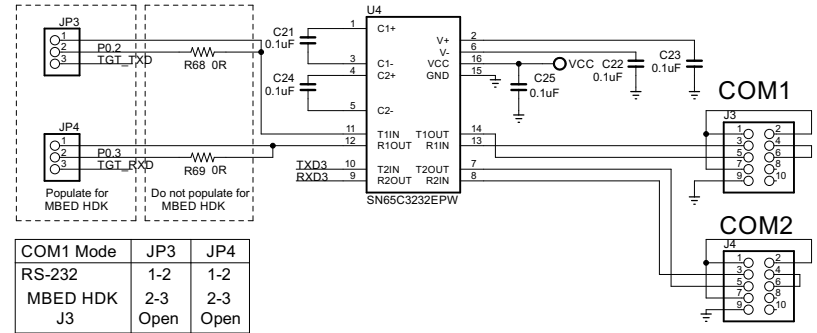
Processor GPIO



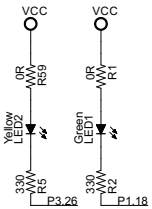
Analog Inputs



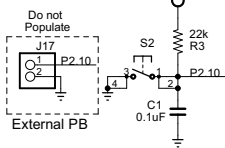
Serial I/O



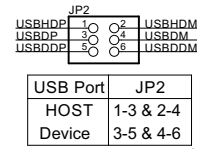
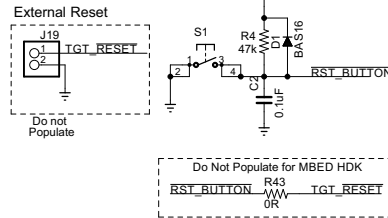
User LEDs



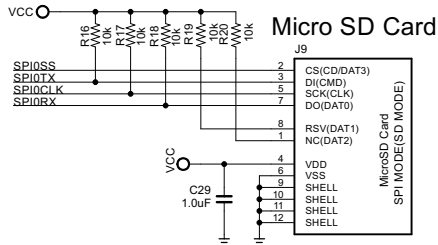
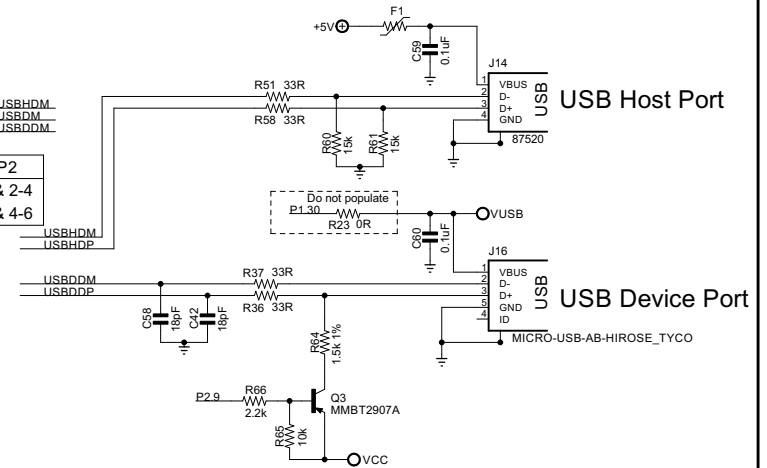
User Push Button



Reset

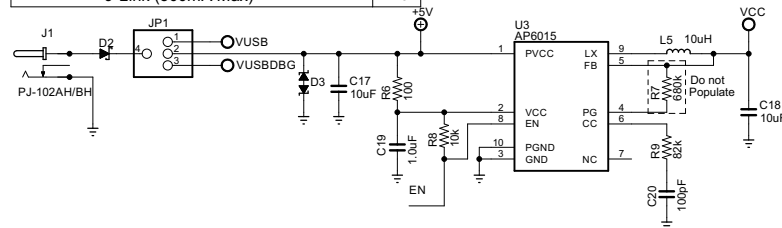


USB Port	JP2
HOST	1-3 & 2-4
Device	3-5 & 4-6



Power Supply		JP1
J1 - Power Jack or Screw Terminal (2.0A Max)	USB Device Port (500mA Max)	2-4
	USB Debug Port (500mA Max)	1-3
	USB Device Port (500mA Max)	2-3
	J-Link (300mA Max)	2-3

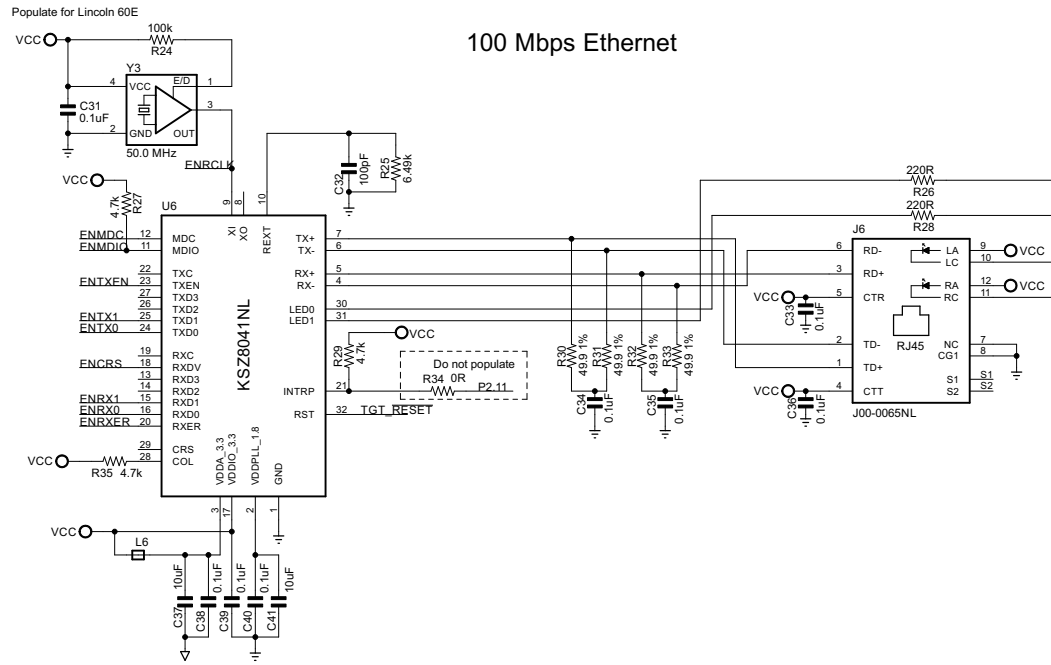
Power Supply



ISSUE	MICROMINT LLC	THIS DRAWING CONTAINS PROPRIETARY INFORMATION AND SHOULD NOT BE USED WITHOUT WRITTEN PERMISSION.	© 2009
DRAWN	TITLE		REV
PJC	Serial I/O, Peripherals		B
CHECKED	DATE	DRG N°	
PJC	1/27/2016 2:15:10 PM	LIN060-B	
DATE	FILE: LIN060-B	PAGE: 3/6	
12/15/09			

THE INFORMATION CONTAINED IN THIS DRAWING IS THE SOLE PROPERTY OF MICROMINT USA, LLC. ANY REPRODUCTION IN PART OR WHOLE IS STRICTLY PROHIBITED WITHOUT WRITTEN PERMISSION.

PROPRIETARY

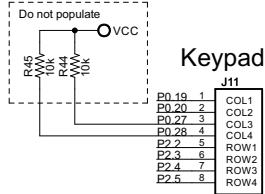
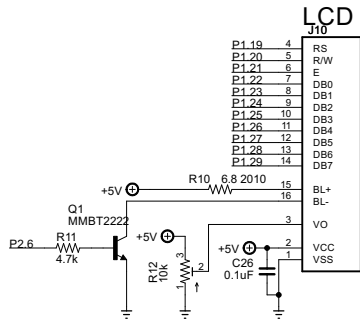


ISSUE	MICROMINT LLC	THIS DRAWING CONTAINS PROPRIETARY INFORMATION AND SHOULD NOT BE USED WITHOUT WRITTEN PERMISSION.	© 2009
DRAWN	TITLE Ethernet		
PJC	REV B		
CHECKED	DATE 1/27/2016 2:15:10 PM		DRG N° LIN060-B
PJC	FILE: LIN060-B		
DATE	12/15/09		PAGE: 4/6

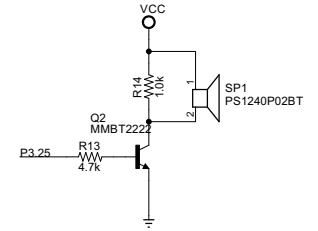
THE INFORMATION CONTAINED IN THIS DRAWING IS THE SOLE PROPERTY OF MICROMINT USA, LLC. ANY REPRODUCTION IN PART OR WHOLE IS STRICTLY PROHIBITED WITHOUT WRITTEN PERMISSION.

PROPRIETARY

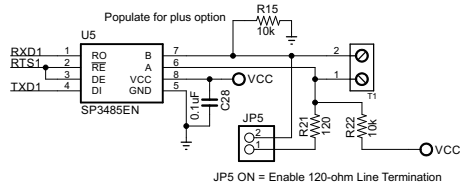
Populate for I/O Plus Option



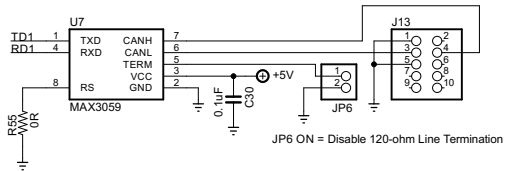
User Buzzer



COM3 RS-485



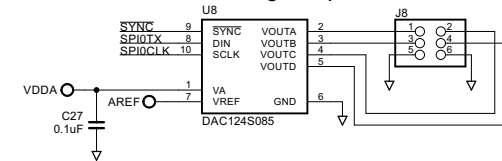
COM4 CAN



2032 Coin Battery



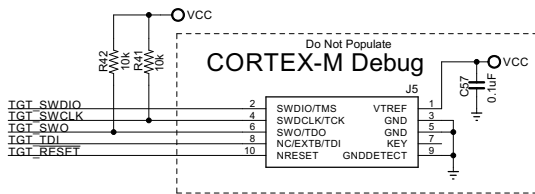
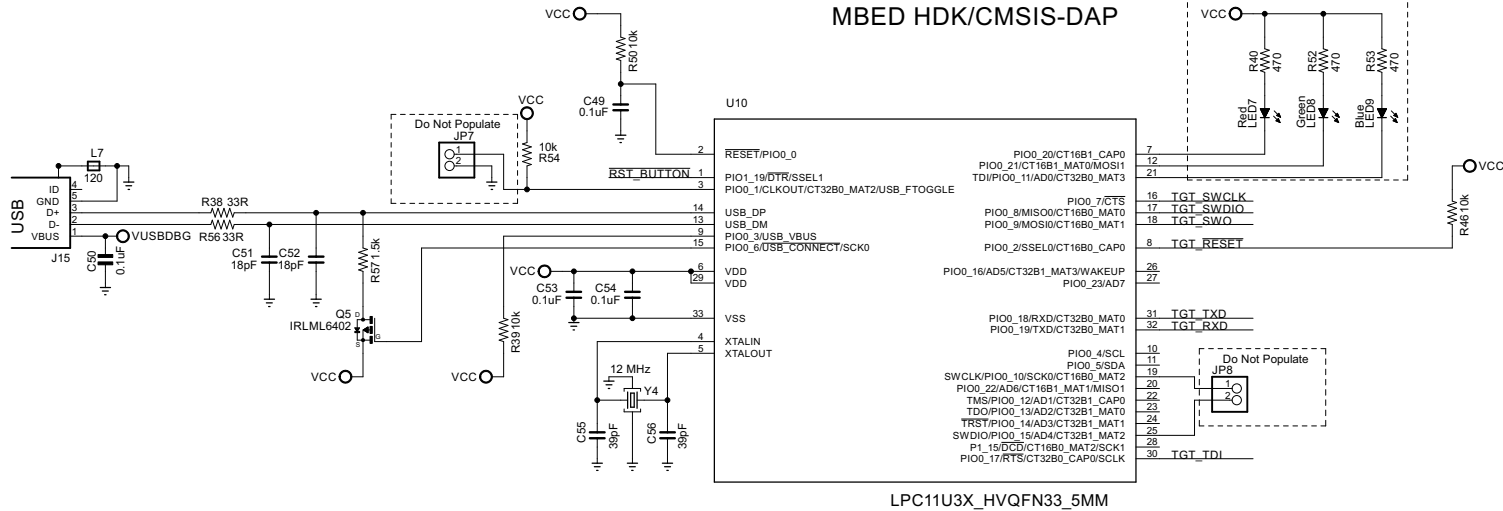
Analog Outputs



ISSUE	MICROMINT LLC	THIS DRAWING CONTAINS PROPRIETARY INFORMATION AND SHOULD NOT BE USED WITHOUT WRITTEN PERMISSION.	© 2009
DRAWN	TITLE		
PJC	I/O Plus Options		
CHECKED	DATE		DRG N°
PJC	1/27/2016 2:15:10 PM		LIN060-B
DATE	FILE: LIN060-B	PAGE: 5/6	
12/15/09			

THE INFORMATION CONTAINED IN THIS DRAWING IS THE SOLE PROPERTY OF MICROMINT USA, LLC. ANY REPRODUCTION IN PART OR WHOLE IS STRICTLY PROHIBITED WITHOUT WRITTEN PERMISSION.

PROPRIETARY



Default Jumper Settings			
Populated With	Jumper	Position	Function Selected
All Boards	JP1	2-4	Power through connector J1
All Boards	JP2	1-3 & 2-4	USB Host
USB Debug Port	JP3	1-2	COM1 RS232
USB Debug Port	JP4	1-2	COM1 RS232
I/O Plus RS485	JP5	Off	No line termination
I/O Plus CAN	JP6	Off	No line termination

ISSUE	LLC	THIS DRAWING CONTAINS PROPRIETARY INFORMATION AND SHOULD NOT BE USED WITHOUT WRITTEN PERMISSION.	© 2009
DRAWN	TITLE		
PJC	USB Debug, JTAG		
CHECKED	DATE	1/27/2016 2:15:10 PM	DRG N°
DATE	12/15/09	FILE: LIN060-B	LIN060-B
			PAGE: 6/6

REV B