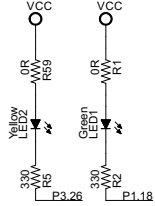


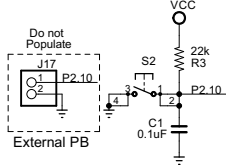
THE INFORMATION CONTAINED IN THIS DRAWING IS THE SOLE PROPERTY OF MICROMINT USA, LLC. ANY REPRODUCTION IN PART OR WHOLE IS STRICTLY PROHIBITED WITHOUT WRITTEN PERMISSION.

PROPRIETARY

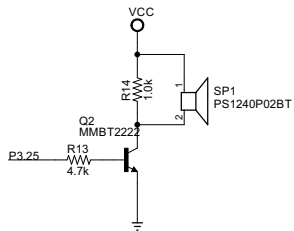
User LEDs



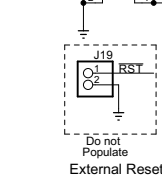
User Push Button



User Buzzer



Reset

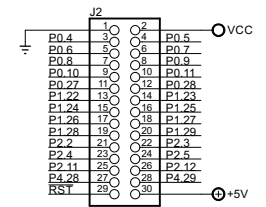


Processor

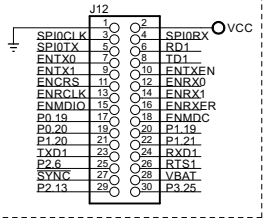
TXD3 46	P0.0/RD1/TXD3/SDA1	P1.0/ENET_TXD0	95	ENTX0
RXD3 47	P0.1/TXD1/RXD3/SCL1	P1.1/ENET_TXD1	94	ENTX1
P0.2 98	P0.2/TXD0/AD0.7	P1.4/ENET_TX_EN	93	ENTXEN
P0.3 99	P0.3/RXD0/AD0.6	P1.8/ENET_CR5	92	ENCR5
P0.4 81	P0.4/I2SRX_CLK/RD2/CAP2.0	P1.9/ENET_RXD0	91	ENRX0
P0.5 80	P0.5/I2SRX_WS/TD2/CAP2.1	P1.10/ENET_RXD1	90	ENRX1
P0.6 79	P0.6/I2SRX_SDA/SSEL1/MAT2.0	P1.14/ENET_RX_ER	89	ENRXER
P0.7 78	P0.7/I2STX_CLK/SCK1/MAT2.1	P1.15/ENET_REF_CLK	88	ENRCLK
P0.8 77	P0.8/I2STX_WS/MISO1/MAT2.2	P1.16/ENET_MDIO	87	ENMDIO
P0.9 76	P0.9/I2STX_SDA/MOSI1/MAT2.3	P1.17/ENET_MDIO	86	ENMDIO
P0.10 48	P0.10/TXD2/SDA2/MAT3.0	P1.18/USB_UP_LED/PWM1.1/CAP1.0	32	P1.18
P0.11 49	P0.11/RXD2/SCL2/MAT3.1	P1.19/MC0A/USB_PPWR/CAP1.1	33	P1.19
SPICLK 62	P0.15/TXD1/SCK0/SCK	P1.20/MC0B/PWM1.2/SCK0	34	P1.20
SPI0SS 63	P0.16/RXD1/SSEL0/SSEL	P1.21/MC0B/RT/PWM1.3/SSEL0	35	P1.21
SEI0RX 61	P0.17/CTS1/MISO0/MISO	P1.22/MC0B/USB_PPWR/MAT1.0	36	P1.22
SEI0TX 60	P0.18/CD1/MOSI0/MOSI	P1.23/MC0B1/PWM1.4/MISO0	37	P1.23
P0.19 59	P0.19/DSR1/SDA1	P1.24/MC0B2/PWM1.5/MISO0	38	P1.24
P0.20 58	P0.20/DTR1/SCL1	P1.25/MC1A/MAT1.1	39	P1.25
RD1 57	P0.21/RH1/RD1	P1.26/MC1B/PWM1.6/CAP0.0	40	P1.26
ID1 56	P0.22/RTS1/TD1	P1.27/MC1C/USB_OTVCR/CAP0.1	43	P1.27
P0.23 9	P0.23/AD0.0/I2SRX_CLK/CAP3.0	P1.28/MC2A1.0/MAT0.0	44	P1.28
P0.24 8	P0.24/AD0.1/I2SRX_WS/CAP3.1	P1.29/MC2B/PCAP1.1/MAT0.1	45	P1.29
P0.25 7	P0.25/AD0.2/I2SRX_SDA/TXD3	P1.30/VBUS/AD0.4	21	P1.30
P0.26 6	P0.26/AD0.3/OUT1/RXD3	P1.31/SCK1/AD0.5	20	P1.31
P0.27 25	P0.27/SDA0/USB_SDA	P2.0/PWM1.1/TXD1	75	TXD1
P0.28 24	P0.28/SCL0/USB_SCL	P2.1/PWM1.2/RXD1	74	RXD1
USRDP 29	P0.29/USB_D+	P2.2/PWM1.3/CTS1/TRACEDATA.3	73	P2.2
USBDMP 30	P0.30/USB_D-	P2.3/PWM1.4/DCD1/TRACEDATA.2	70	P2.3
P2.25 27	P3.25/MAT0.0/PWM1.2	P2.4/PWM1.5/DSR1/TRACEDATA.1	69	P2.4
P3.28 26	P3.28/STCLK/MAT0.1/PWM1.3	P2.5/PWM1.6/DTR1/TRACEDATA.0	68	P2.5
P4.28 82	P4.28/RX_MCLK/MAT2.0/TXD3	P2.6/PCAP1.0/RH1/TRACEDATA.0	67	P2.6
P4.29 85	P4.29/TX_MCLK/MAT2.1/RXD3	P2.7/RD2/RTS1	66	RTS1
		P2.8/TD2/TXD2	65	TXD2
		P2.9/USB_CONNECT/RXD2	53	P2.9
		P2.10/ENET0/NMI	52	P2.10
		P2.11/ENET1/I2STX_CLK	51	P2.11
		P2.12/ENET2/I2STX_WS	50	P2.12
		P2.13/ENET3/I2STX_SDA	50	P2.13

LPC1769

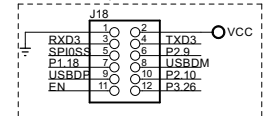
Processor GPIO



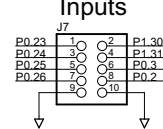
Do not populate for Lincoln 60E



Do not Populate

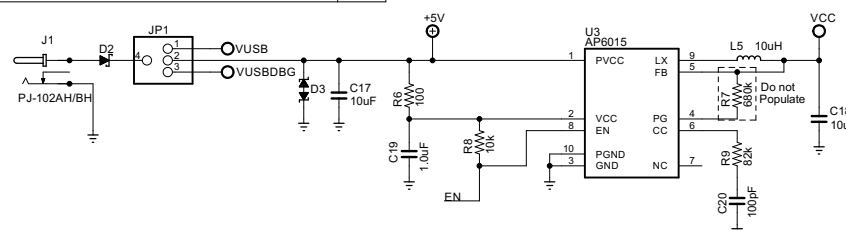


Analog Inputs



Power Supply	JP1
J1 - Power Jack or Screw Terminal (2.0A Max)	2-4
USB Device Port (500mA Max)	1-3
USB Debug Port (500mA Max)	2-3
J-Link (300mA Max)	2-3

Power Supply



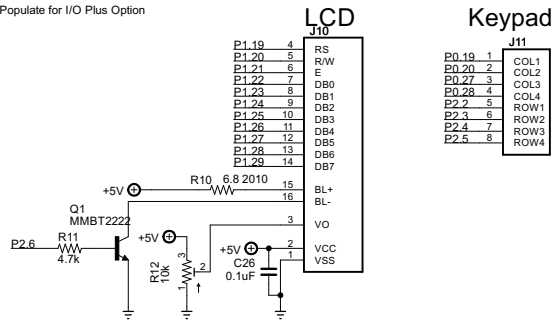
REV	DATE	APPROVED
1	4/7/10	PJC
A	6/3/10	PJC

ISSUE	MICROMINT LLC	THIS DRAWING CONTAINS PROPRIETARY INFORMATION AND SHOULD NOT BE USED WITHOUT WRITTEN PERMISSION.	© 2009
DRAWN	PJC	TITLE	Lincoln 60 - Processor, GPIO, P/S
CHECKED	PJC	DATE	1/27/2016 2:51:17 PM
DATE	12/15/09	DRG No	LIN060-A
		FILE:	LIN060-A
		PAGE:	1/4

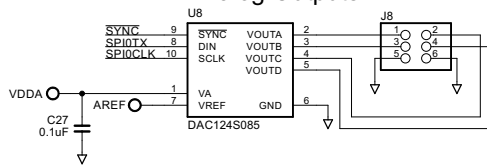
THE INFORMATION CONTAINED IN THIS DRAWING IS THE SOLE PROPERTY OF MICROMINT USA, LLC. ANY REPRODUCTION IN PART OR WHOLE IS STRICTLY PROHIBITED WITHOUT WRITTEN PERMISSION.

PROPRIETARY

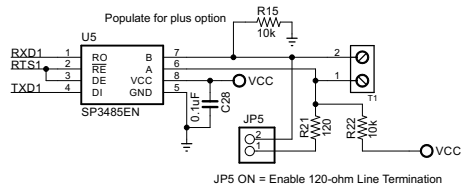
Populate for I/O Plus Option



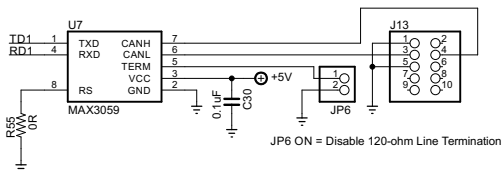
Analog Outputs



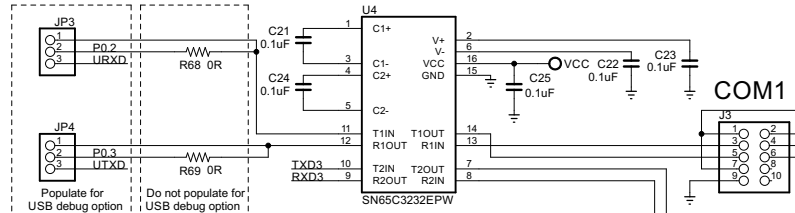
COM3 RS-485



COM4 CAN

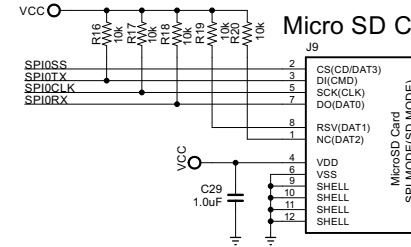


Serial I/O



COM1 Mode	JP3	JP4
RS-232 COM1	1-2	1-2
FTDI COM1	2-3	2-3
J3	Open	Open

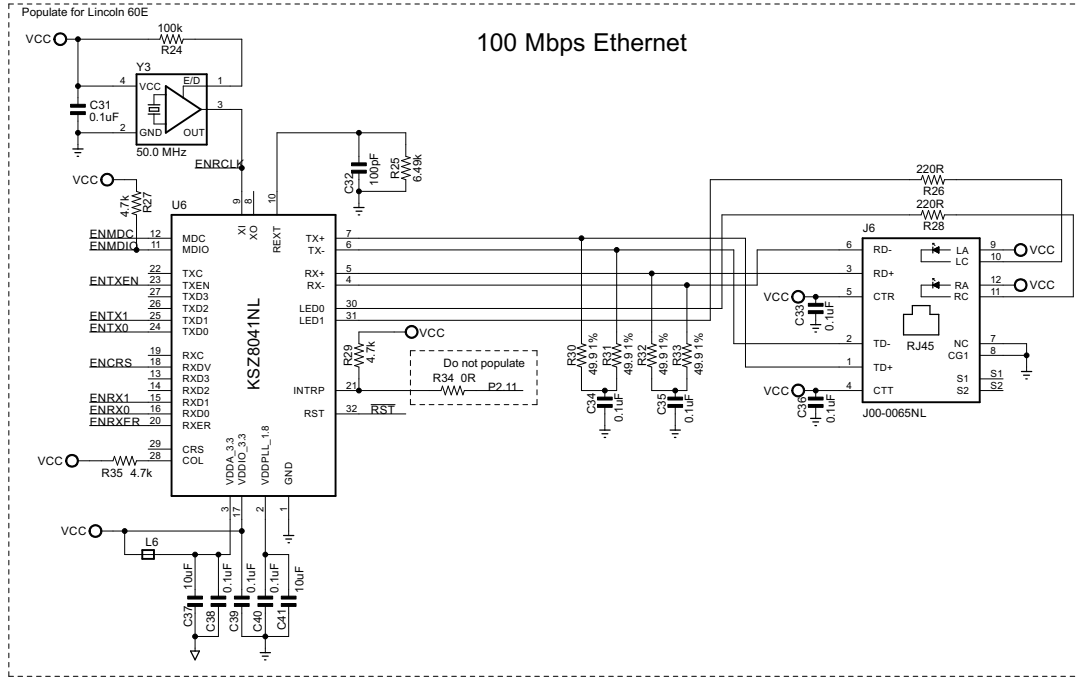
Micro SD Card



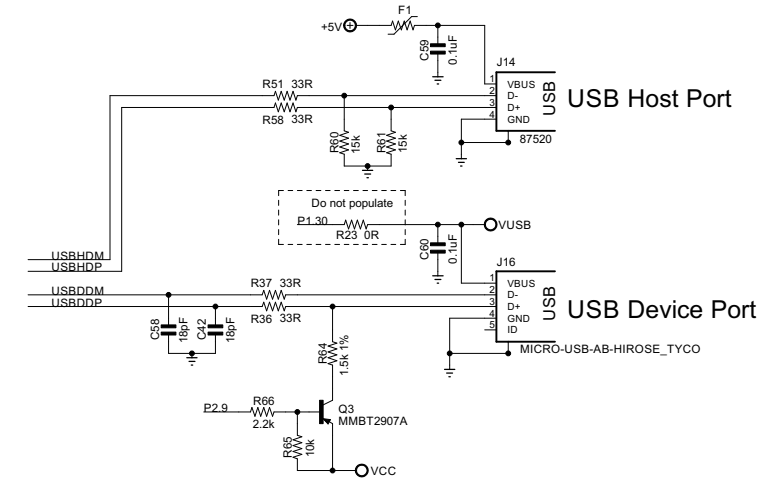
ISSUE	MICROMINT LLC	THIS DRAWING CONTAINS PROPRIETARY INFORMATION AND SHOULD NOT BE USED WITHOUT WRITTEN PERMISSION.	© 2009
DRAWN	TITLE		
PJC	Serial I/O, Peripherals		
CHECKED	REV A		
PJC	DATE	DRG N°	
DATE	1/27/2016 2:51:17 PM	LIN060-A	
12/15/09	FILE: LIN060-A	PAGE: 2/4	

THE INFORMATION CONTAINED IN THIS DRAWING IS THE SOLE PROPERTY OF MICROMINT USA, LLC. ANY REPRODUCTION IN PART OR WHOLE IS STRICTLY PROHIBITED WITHOUT WRITTEN PERMISSION.

PROPRIETARY

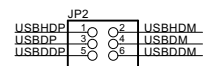


100 Mbps Ethernet



USB Host Port

USB Device Port

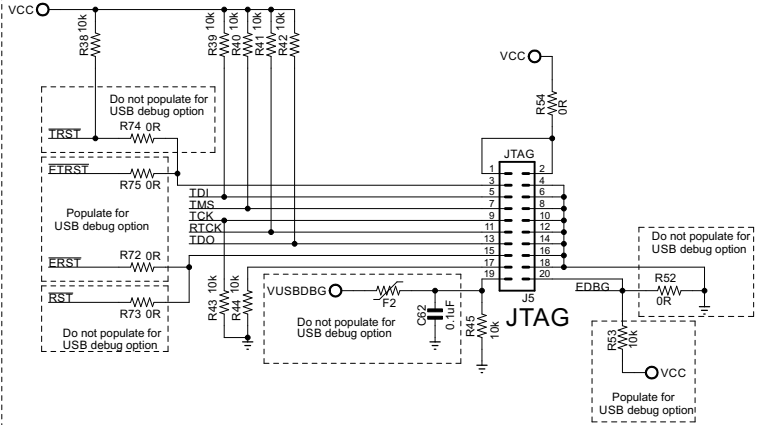
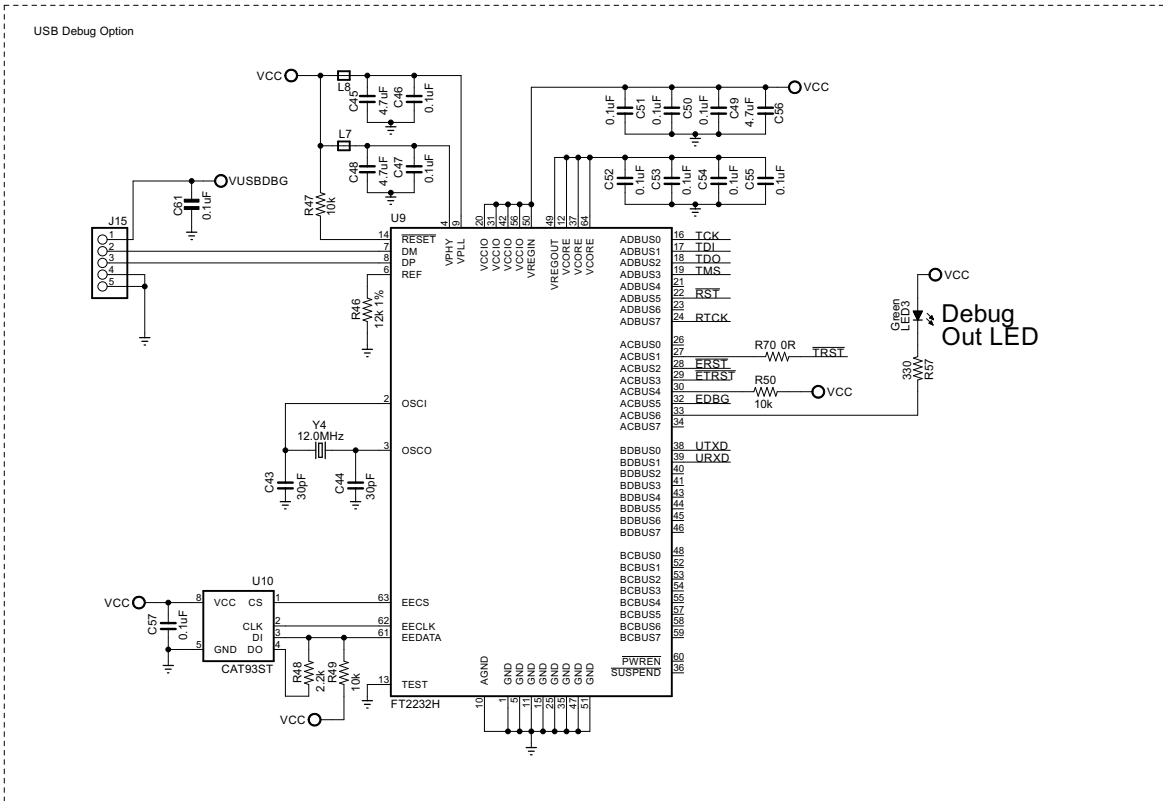


USB Port	JP2
HOST	1-3 & 2-4
Device	3-5 & 4-6

ISSUE	MICROMINT LLC	THIS DRAWING CONTAINS PROPRIETARY INFORMATION AND SHOULD NOT BE USED WITHOUT WRITTEN PERMISSION.	© 2009
DRAWN	TITLE	REV A	
PJC	Ethernet, USB		
CHECKED	DATE	DRG N°	
PJC	1/27/2016 2:51:17 PM	LIN060-A	
DATE	FILE: LIN060-A	PAGE: 3/4	
12/15/09			

THE INFORMATION CONTAINED IN THIS DRAWING IS THE SOLE PROPERTY OF MICROMINT USA, LLC. ANY REPRODUCTION IN PART OR WHOLE IS STRICTLY PROHIBITED WITHOUT WRITTEN PERMISSION.

PROPRIETARY



Default Jumper Settings			
Populated With	Jumper	Position	Function Selected
All Boards	JP1	2-4	Power through connector J1
All Boards	JP2	1-3 & 2-4	USB Host
USB Debug Port	JP3	1-2	COM1 RS232
USB Debug Port	JP4	1-2	COM1 RS232
I/O Plus RS485	JP5	Off	No line termination
I/O Plus CAN	JP6	Off	No line termination

ISSUE	MICROMINT LLC	THIS DRAWING CONTAINS PROPRIETARY INFORMATION AND SHOULD NOT BE USED WITHOUT WRITTEN PERMISSION.	© 2009
DRAWN	TITLE		
PJC	USB Debug, JTAG		
CHECKED	DATE	DRG N°	REV
PJC	1/27/2016 2:51:17 PM	LIN060-A	A
DATE	FILE: LIN060-A	PAGE: 4/4	
12/15/09			